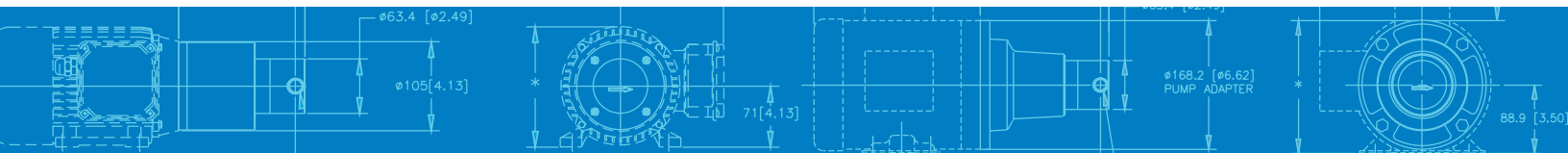




# Series GB

## MAGNETIC DRIVE GEAR PUMP

When you need a low-flow pump that delivers high-performance in a small package, Series GB is an excellent solution. Series GB pumps provide precise, pulseless flow for a wide range of fluid temperatures. Featuring Micropump's suction shoe design, the pumps self-compensate for wear ensuring near zero slip and a long pump life.



### SUCTION SHOE STYLE PUMPS

Suction shoe style pumps self-compensate for wear, are excellent for continuous duty processes, and offer improved efficiencies when pumping at higher pressures

### SMALL SIZE

The miniature package size of the Series GB is easily incorporated into the design of many systems.

### FLUID PATH INTEGRITY

The magnetic drive and static o-ring seal(s) keep the fluid securely inside the pump and potential contaminants out.

### SMOOTH PULSELESS DELIVERY

Positive displacement, helical gears provide consistent fluid delivery in continuous processes.

### CHEMICALLY RESISTANT

Series GB has a long-life in aggressive environments.

### EASY TO SERVICE

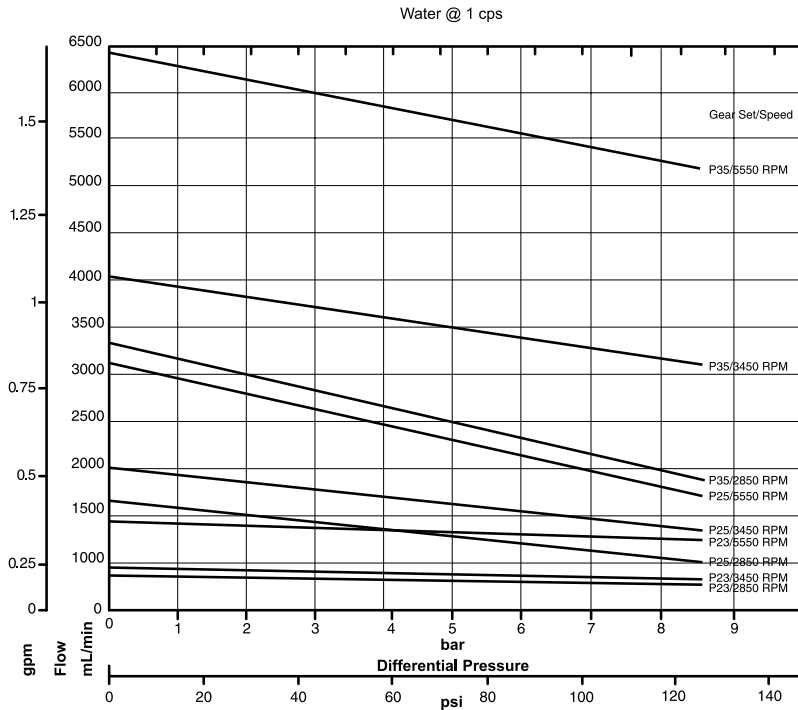
Series GB pumps are easy to service using a Micropump service kit and simple hand tools.

### WIDE RANGE OF CONFIGURATIONS

Micropump's designs offer a wide range of configurations to meet your more challenging requirements including:

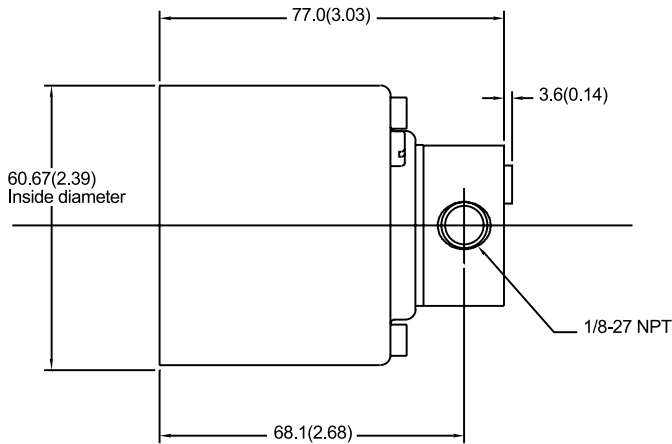
- ▶ Two and three gear versions
- ▶ Multiple gear, body, and o-ring materials
- ▶ Optional internal bypass
- ▶ Optional high-torque magnets
- ▶ NEMA, IEC, and Micropump drive mounts

# PUMP PERFORMANCE



# DIMENSIONS

## A MOUNT



Units: mm(in). Nominal dimensions shown.



Micropump, Inc | A Unit of IDEX Corp. | 1402 NE 136th Avenue • Vancouver, WA 98684  
www.micropump.com

ACTUAL PERFORMANCE MAY VARY. Specifications are subject to change without notice. ©2016 Micropump, Inc., A Unit of IDEX Corporation. Micropump and the Micropump logo are registered trademarks of Micropump, Inc.

REV.12/2021

# PERFORMANCE SUMMARY

## FLOW RATE AT 5500 RPM

- ▶ 6.4 L/min (1.70 US gpm)

## DISPLACEMENT

- ▶ Gear Set                    P23    P25    P35
- ▶ mL/rev                    0.26   0.58   1.17
- ▶ US gal/1000 rev        0.07   0.15   0.31

## MAXIMUM RATED DIFFERENTIAL PRESSURE

- ▶ 8.6 Bar (125 psi)

## MAXIMUM RATED SYSTEM PRESSURE

- ▶ 21 Bar (300 psi)

## TEMPERATURE RANGE

- ▶ -46 to 177 °C (-50 to 351 °F)

## VISCOSITY RANGE

- ▶ 0.5 to 1500 cps

## MAXIMUM SPEED

- ▶ 5500 rpm

# PUMP CONSTRUCTION

- ▶ Magnetic drive gear pump
- ▶ Suction shoe style
- ▶ Two or three helical gears
- ▶ Stationary shafts
- ▶ O-ring seal

# WETTED MATERIALS

## BASE MATERIAL

- ▶ 316 stainless steel    ▶ Alloy 276
- ▶ Titanium                    ▶ Alloy 20

## GEARS

- ▶ PEEK
- ▶ PPS

## STATIC SEALS

- ▶ FKM                    ▶ FFKM
- ▶ TEV                    ▶ EP

# MAGNETS

## DRIVEN

- ▶ Rare earth
- ▶ Ferrite

## DRIVING

- ▶ Ferrite
- ▶ Electromagnetic
- ▶ Rare earth

# PRODUCT ENHANCEMENTS

- ▶ Internal Bypass
- ▶ 1/4 - 18 NPT Side Ports