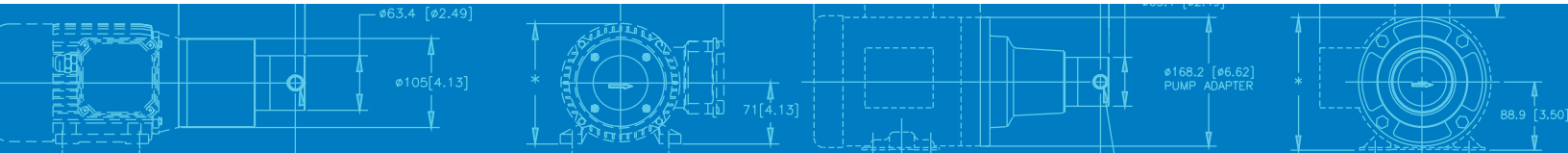




# Series GA/GAH

## MAGNETIC DRIVE GEAR PUMP

When you need a low-flow pump that delivers high-performance in a small package, Series GA is an excellent solution. Series GA pumps provide precise, pulseless flow, and feature Micropump's suction shoe design that allows the pumps to self-compensate for wear ensuring near zero slip and a long pump life. Series GAH extends Series GA to high-system pressure applications making Series GA pumps ideal for a wide-range of low-flow applications.



### SUCTION SHOE STYLE PUMPS

Suction shoe style pumps self-compensate for wear, are excellent for continuous duty processes, and offer improved efficiencies when pumping at higher pressures.

### SMALL SIZE

The miniature package size of the Series GA/GAH is easily incorporated into the design of many systems.

### FLUID PATH INTEGRITY

The magnetic drive and static o-ring seal(s) keep the fluid securely inside the pump and potential contaminants out.

### SMOOTH PULSELESS DELIVERY

Positive displacement, precision gears provide consistent fluid delivery in continuous processes.

### CHEMICALLY RESISTANT

Series GA/GAH has a long life in aggressive environments.

### EASY TO SERVICE

Series GA/GAH pumps are easy to service using a Micropump® service kit and simple hand tools.

### HIGH-SYSTEM PRESSURE CAPABILITY

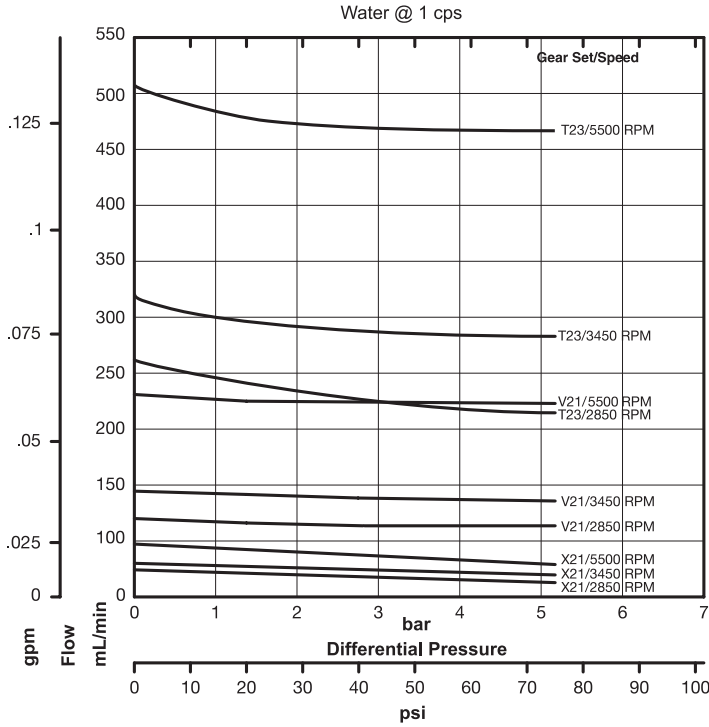
Series GAH pumps are designed to withstand system pressures up to 345 bar (5000 psi).

### WIDE RANGE OF CONFIGURATIONS

Micropump's designs offer a wide range of configurations to meet your more challenging requirements including:

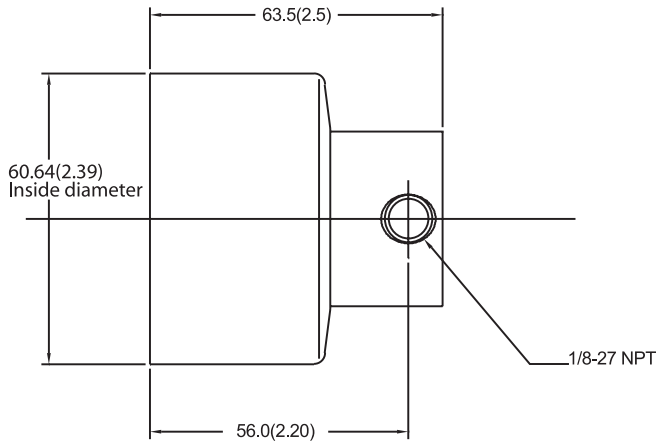
- ▶ Multiple gear, body, and o-ring materials
- ▶ High-torque magnets
- ▶ NEMA, IEC, EagleDrive, and Micropump drive mounts

# PUMP PERFORMANCE



# DIMENSIONS

A MOUNT



Units: mm(in). Nominal dimensions shown.

# MICROPUMP

Micropump, Inc | A Unit of IDEX Corp. | 1402 NE 136th Avenue • Vancouver, WA 98684  
 T 800.671.6269 • +1.360.253.2008 | F +1.360.253.8294 | info.micropump@idexcorp.com | www.micropump.com

ACTUAL PERFORMANCE MAY VARY. Specifications are subject to change without notice. ©2016 Micropump, Inc., A Unit of IDEX Corporation. Micropump and the Micropump logo are registered trademarks of Micropump, Inc.

REV. 5/17

# PERFORMANCE SUMMARY

## FLOW RATE AT 5500 RPM

- ▶ 506 mL/min (0.134 US gpm)

## DISPLACEMENT

- ▶ Gear Set X21 V21 T23
- ▶ mL/rev 0.017 0.042 0.092
- ▶ US gal/1000 rev 0.045 0.01 0.02

## MAXIMUM RATED DIFFERENTIAL PRESSURE

- ▶ 5.2 Bar (75 psi)

## MAXIMUM RATED SYSTEM PRESSURE

- ▶ Standard Series GA 21 Bar (300 psi)
- ▶ High-Pressure Series GAH 345 Bar (5000 psi)

## TEMPERATURE RANGE

- ▶ -46 to 177 °C (-50 to 350 °F)

## VISCOSITY RANGE

- ▶ 0.5 to 1500 cps

## MAXIMUM RECOMMENDED SPEED

- ▶ 5500 rpm

# PUMP CONSTRUCTION

- ▶ Magnetic drive gear pump
- ▶ Suction shoe style
- ▶ Spur gears
- ▶ Stationary shafts
- ▶ O-ring seal

# WETTED MATERIALS

## BASE MATERIAL

- ▶ 316 stainless steel
- ▶ Titanium
- ▶ Alloy 276
- ▶ Alloy 20

## GEARS

- ▶ Carbon Graphite
- ▶ PEEK
- ▶ PPS
- ▶ PTFE
- ▶ Carbon

## STATIC SEALS

- ▶ FKM
- ▶ TEV
- ▶ EP
- ▶ PTFE
- ▶ FFKM

# MAGNETS

## DRIVEN AND DRIVING

- ▶ Ferrite
- ▶ Rare Earth

# PRODUCT ENHANCEMENTS

- ▶ 1/4 - 18 NPT Side Ports (GA Only)