



Series GB

MAGNETIC DRIVE GEAR PUMP
EAGLEDRIVE™

When you need a low-flow pump that delivers high performance in a small package, Series GB is an excellent option. Series GB gear pumps provide precise, pulseless flow, and features Micropump's suction shoe design. The suction shoe self-compensates for wear, ensuring near zero slip and long pump life. This pump, standard with an electromagnetic EagleDrive™, provides a highly efficient, compact pumping package that easily integrates into your design.

PERFORMANCE SUMMARY

MAX RATED DIFFERENTIAL PRESSURE
8.7 Bar (125 psi)

MAX FLOW RATE (5500 RPM)
6.4 L/min (1.7 US gpm)

MAX RATED SYSTEM PRESSURE
21 Bar (300 psi)

TEMPERATURE RANGE
-29 to 120°C (-20 to 248°F)

VISCOSITY RANGE
0.5 to 1500 cps

HIGH PERFORMANCE OPERATION

- ▶ Positive displacement, precision gears for smooth pulseless fluid delivery
- ▶ Suction shoe style pumps for improved efficiencies when pumping at higher pressures
- ▶ Electromagnetic drive, with low inertia and high torque, for fast response times
- ▶ Automotive grade electrical components for high temperature operation (up to 120°C) and durability

FLUID PATH INTEGRITY

- ▶ The magnetic drive eliminates dynamic shaft seals, keeping the fluid in and contaminants out

LONG LIFE

- ▶ Precisely designed and manufactured gears stand the test of rugged duty
- ▶ Chemically resistant construction materials stand up to chemically aggressive fluids
- ▶ Electromagnetic drive means fewer moving parts
- ▶ Series GB pumps are easy to service using a Micropump service kit and simple hand tools

EASY DESIGN INTEGRATION

- ▶ Series GB pump and EagleDrive provides a compact package, enabling easy integration into system designs
- ▶ Supports wide range of power supply voltages (10-38V)
- ▶ Error signals for easy error detection and diagnosis

PUMP CONSTRUCTION

- ▶ Magnetic drive gear pump
- ▶ Suction shoe style
- ▶ Two or three helical gears
- ▶ Stationary shafts
- ▶ O-ring seal

WETTED MATERIALS

BASE MATERIAL

- ▶ 316 stainless steel

GEARS

- ▶ PEEK
- ▶ PPS

STATIC SEALS

- ▶ TEV
- ▶ FKM

MAGNETS

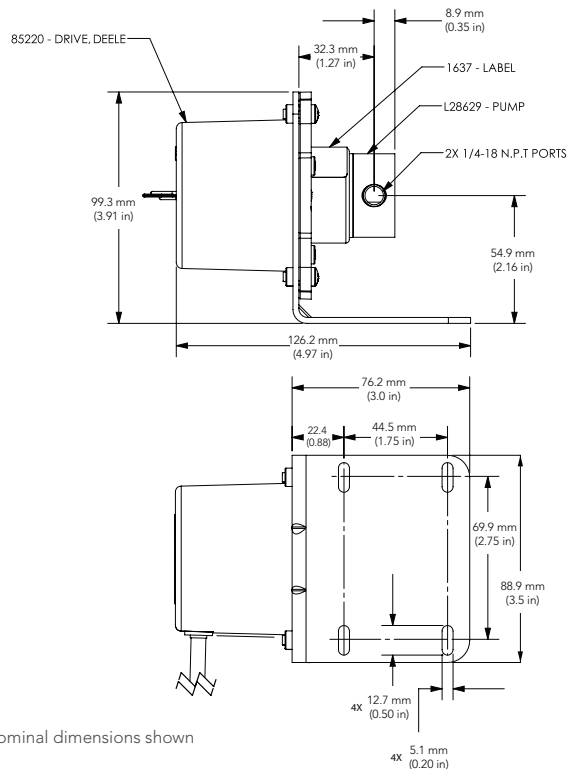
DRIVEN

- ▶ Rare earth

DRIVING

- ▶ Electromagnet

DIMENSIONS



*Units: mm(in). Nominal dimensions shown

MICROPUMP®

Micropump, Inc | A Unit of IDEX Corp. | 1402 NE 136th Avenue • Vancouver, WA 98684

T 800.671.6269 • +1.360.253.2008 | F +1.360.253.8294 | info.micropump@idexcorp.com | www.micropump.com

ACTUAL PERFORMANCE MAY VARY. Specifications are subject to change without notice. ©2016 Micropump, Inc., A Unit of IDEX Corporation. Micropump and the Micropump logo are registered trademarks of Micropump, Inc.

REV. 5/17

DRIVE SPECIFICATIONS FOR EAGLEDRIVE™ DEELE

SPEED

- ▶ 1000 to 8000 rpm (36V)
- ▶ 500 to 5500 rpm (24V)
- ▶ 250 to 2650 rpm (12V)

SPEED (AT RATED TORQUE)

- ▶ 3750 rpm @ 20 oz-in (24V)

CURRENT AT RATED TORQUE

- ▶ 2.9A @ 20 oz-in (24V)

POWER SUPPLY

- ▶ 10V to 38V DC

TEMPERATURE RANGE

- ▶ -40 to 120 °C (-40 to 248 °F)

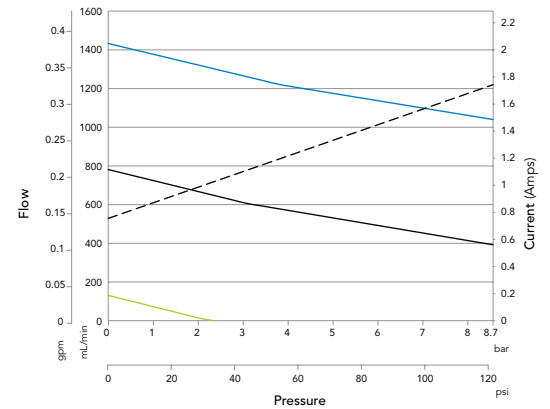
PUMP PERFORMANCE

Power Supply Voltage = 24 VDC

Water @ 1cps

- Speed control = 5V
- Speed control = 1V
- Speed control = 3V
- - - Power Supply Current

GB-P23-DEELE Performance

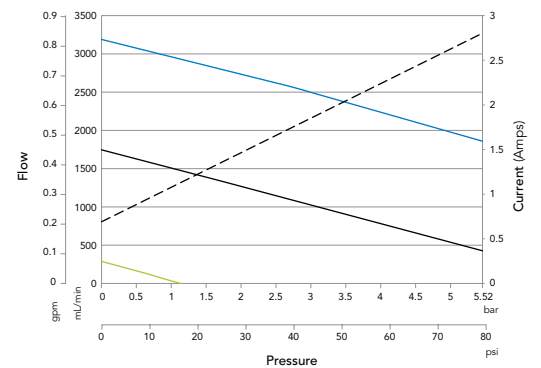


FLOW RATE NOMINAL: 550 mL/min (@ 4.3 Bar, 3V)

FLOW RATE MAX: 1430 mL/min (@ 0 Bar, 5V)

DISPLACEMENT: 0.26 mL/rev

GB-P25-DEELE Performance

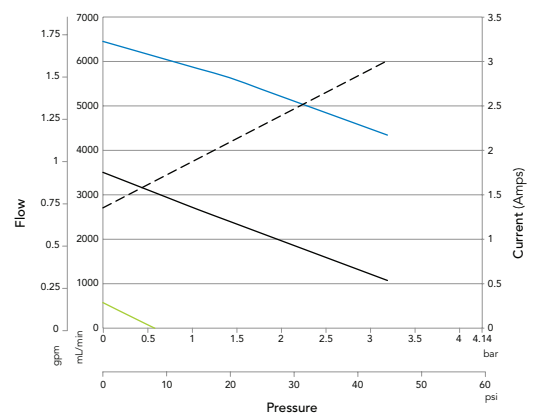


FLOW RATE NOMINAL: 1000 mL/min (@ 2.8 Bar, 3V)

FLOW RATE MAX: 3190 mL/min (@ 0 Bar, 5V)

DISPLACEMENT: 0.58 mL/rev

GB-P35-DEELE Performance



FLOW RATE NOMINAL: 2700 mL/min (@ 1.4 Bar, 3V)

FLOW RATE MAX: 6435 mL/min (@ 0 Bar, 5V)

DISPLACEMENT: 1.17 mL/rev