

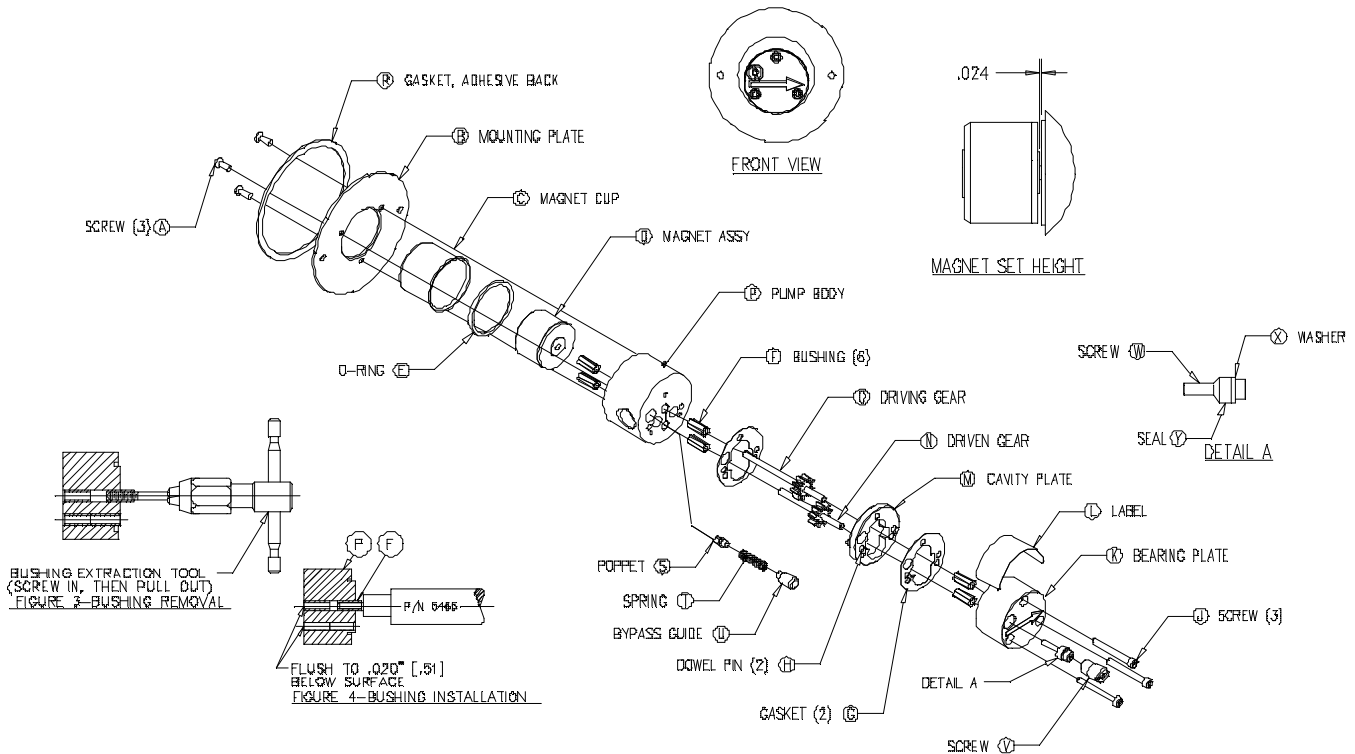


| | |
|--------------|--------|
| PART NUMBER: | L28654 |
|--------------|--------|

| |
|------------------------------|
| SERVICE INSTRUCTIONS: L28654 |
|------------------------------|

| REVISION | | | |
|----------|-------------|---------|-----|
| LTR. | DESCRIPTION | DATE | BY |
| B | ADD GASKET | 1/10/14 | SMC |

| |
|------------------------------------|
| MOD: GJ (120) SERIES – SE/LE MOUNT |
|------------------------------------|



GENERAL:

1. All service work should be performed in a clean area.
2. Care should be taken to avoid scratching any sealing surfaces or allowing metal chips to come in contact with the Driven Magnet Assembly.
3. Apply an even, light coat of high vacuum silicone grease (Dow Corning or equiv.) to all seals or O-Rings.
4. O-Rings with chamfers should always be installed with the chamfer up, away from the groove.
5. Adhesive Backed Gasket (R) adheres to Mounting Plate (B). Remove backing and carefully attach Gasket to Mounting Plate placing as concentric as possible. Apply silicone grease to gasket before assembling to drive.
6. All assembly screws should be tightened evenly and in an alternating pattern.
7. Only Micropump factory authorized replacement parts should be used when servicing any Micropump products.

SPECIFIC:

1. Remove old Bushings (P) with Extraction Tool. The use of a #8 or M4 tap with T-Handle is recommended (See Figure 3.).
2. New Bushing installation is a press fit. Install using P/N 5465 tool. (See Figure 4.)
3. The first two Bushings should be installed into the Pump Body (Q) from the gear side. These Bushings should be inserted to .020 inch (.51mm) below seal surface. Then two bushings should be inserted into the Pump Body from the Driven Magnet (D) side. Also, install two Bushings in the Bearing Plate (K).
4. Next install Gears (O) & (N) and Driven Magnet (D). Set Driven Magnet height from Pump Body (Q) pilot, as shown in Figure 2, using P/N 6009 Magnet Set Height Tool between Pump Body (Q) and Driven Magnet (D), press Driven Magnet (D) down until it touches the Magnet Set Height Tool.

MICROPUMP, INC.

A Unit of IDEX Corporation

PO Box 8975, Vancouver, WA 98668-8975 • Phone: 360/253-2008 • Fax: 360/253-8294

MICROPUMP LIMITED

A Subsidiary of Micropump, Inc.

Howard Road, Eaton Socon, St. Neots, Cambridgeshire, PE 19 8ET England, • Phone: (44) (0) 1480-356600 • Fax: (44) (0) 1480-356300